

Precharge DC Contactor HEV-R Precharge DC Contactor



USES

This product is used to connect capacitive load, and has the function of pre-charging capacity. It is suitable for electric vehicles, charging piles, automobile air conditioning, energy-saving and environmental protection system, road traffic lighting system, programmable power supply and uninterrupted power supply equipment.

HEV	□	-7	A	R(Y)	X	L	-□	※	/12V
1	2	3	4	5	6	7	8	9	10

- 1 Product type
- 2 Rated current
- 3 Contact Rated Voltage: 1:200V; 7:1000V
- 4 Circuit structure: A - normally open; B - normally closed; F - normally open with one auxiliary switch (the auxiliary switch and main contact have the same structure); G - one normally closed with one auxiliary (auxiliary switch and main contact have the same structure). (For other auxiliary switch structures, add 2 or 3 numbers after the model to describe the auxiliary switch structure)
- 5 Coil type: H with coil economizer; K dual wire magnetic holding (single coil, dual wire self-locking); 2K three wire magnetic holding (double coil, three wire self-locking); P signal control; R built-in pre charging type [relay drive] (the left digit of the pre charging function is the pre charging delay time, used to control the coil; the right digit is the resistance value with resistance); Y: External pre charging [MOS driver] (the left digit of the pre charging function is the pre charging delay time, and the right digit is used as a lead for controlling the coil. If it is greater than 1, it is the resistance value of the live resistance)
- 6 Coil outgoing mode: X Wire (390mm); O Other
- 7 Mounting bracket type
- 8 None: auxiliary switch and main contact have the same structure (default); 2: The structure of auxiliary switch and main contact is opposite; 3: Special auxiliary switch structure
- 9 Other special functions: V with capacitive type load; N no polarity
- 10 Coil rated voltage: 12V,24V,36V,48V,60V,72V,84V etc.

USE OF THE ENVIRONMENT

Contact lead M10 tightening	≥9.0 appropriate
Coil lead mode	Wire dipping tin (red positive and
Ambient temperature	-40~+85℃
Relative humidity	+20℃ 98%
Vibration freq. at the fixed	3G, 1~50Hz amplitude 0.5mm
Concussion	(60~100) time/minute.
Altitude	2000m
Installation direction	Random

ORDER INSTRUCTION

Parameter requirement	pre-charging current,
-----------------------	-----------------------

International Protection IP68

TECHNICAL PARAMETERS

(Version 2.83)

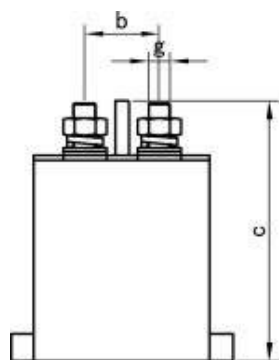
SAYOON Product Type	HEV-R
Contact form	1 NO(SPST-NO) or 1NC(SPST-NC)
Coil Rated voltage (DC V)	12V,24V,36V,48V,60V,72V,84V etc.
Contact voltage (DC V)	150V,450V
Contact circuit rated load current (DC-1)	30A,50A,100A,200A,250A,400A,500A
Typical voltage drop across contacts per 100A	≧80mV
The cooling pull-in voltage at (20±5)°C (V)	≧70%
The cooling drop-out voltage at (20±5)°C (V)	≧35%, ≦5%
Working voltage range of 40°C coil	0.8-1.2Us
Drop-out time (n/o contacts to open)	80ms
Pull-in time (n/o contacts to close)	20ms
Maximum bounce time for contact connection	10ms
Maximum bounce time for contact disconnection	7ms
Insulation Resistance	100MΩ
Electric strength to resist	50Hz/60Hz 2200VAC 1minute
Typical fault currents which can be ruptured	1500A/5ms at 48V DC
Coil power (W)	Start: 30-60, Keep: 2-10
Temperature rise of coil (K)	≦55
Temperature rise on outgoing terminal (K)	≦65
Electrical life	20,000 times
Mechanical life	300,000 times
Work specification	Continuous
Contact material	Alloy
Inrush time (max)	130ms
Maximum switching current	2500A 320VDC (more than once)
Maximum switching power	800kW
Load terminal type	M8 Screw

OTHER TECHNICAL PARAMETERS

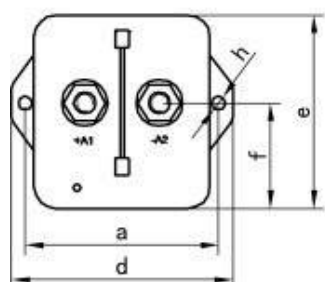
Coil terminal type	0.3 square silicone wire, 390mm long
Auxiliary contact rated load (optional)	3A/30VDC
Testing organization certification	CCC,CE,FCC,RoHS

Note:As regarding to the different using environments of customers which requires different focus of the functions,and in order to improve the comprehensive properties of our products,sayoon may adjust the coil parameters,temperature rise and so on. The above parameters are for reference only, For details, please refer to the guidelines for selection and use of the SAYOON DC contactor.

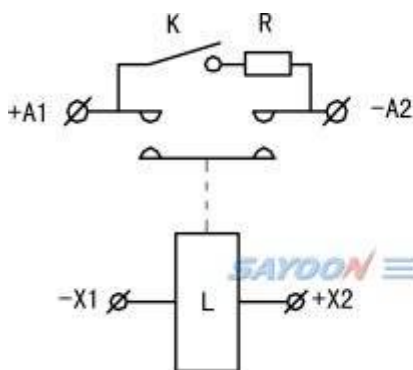
INSTALLATION DIAGRAM



SIZE CURRENT	a	b	c	d	e	f	g	h
30A	42	14	59	49.4	41.2	24.2	M5	Φ4.7
50A	42	14	59	49.4	41.2	24.2	M5	Φ4.7
100A	46.4	18	61.8	53.8	47.7	27.6	M5	Φ4.7
150A	46.4	18	61.8	53.8	47.7	27.6	M5	Φ4.7
200A	68.28	26.67	97	80.38	65.1	36.3	M8	Φ8
250A	68.28	26.67	97	80.38	65.1	36.3	M8	Φ8
300A	68.28	26.67	97	80.38	65.1	36.3	M8	Φ8
400A	88	34	118.2	101	88	48	M10	Φ6.4
600A	88	34	118.2	101	88	48	M10	Φ6.4

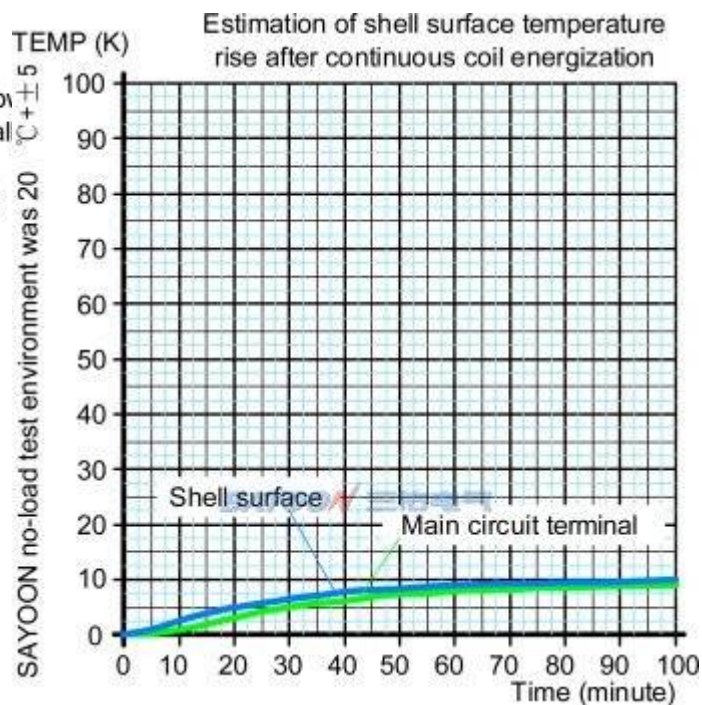


WIRING DIAGRAM



Single Pole Single Throw
Contactor. (One Normal
Open)
+A1.-A2 Main Contact
Terminal
-X1.+X2 Coil Terminal

TEMPERATURE RISE CURVE



FEATURES

Suitable for new energy electric vehicles, charging facilities, photovoltaic, wind power generation systems, automotive air conditioning, communication power, UPS, power and other electrical control circuit of the switch control, with small size, large load capacity, no spark, long service life, maintenance simple and other characteristics, by users. 1 DC high voltage power: the product cavity filled with rare mixed gas, arc cooling capacity, 2 control load capacity: with 50A-250A, working voltage range of 12-900VDC load capacity; 3 safety: insulation structure, can be in flammable or hazardous environment work, coil and contacts will not oxidation and pollution; 4, compared with similar products small size, light weight, power consumption. The product in accordance with the standard JB2286-78, JB3974-85, YD / 585-92, YD / T512-92 requirements; after the factory and relevant test unit test, meet the requirements of the standard specification, users use for many years, maximum to meet user needs, quality and reliable.

ORDER FORM DESCRIPTION

When ordering, please state the following: name, full model, control coil voltage specification, installation frame type, whether with auxiliary contact, order quantity. For example: Precharge DC Contactor HEV-R-□-□/24V 100pcs, indicating the load rated current 30A,50A,100A,200A,250A,400A,500A, without auxiliary contact, default mounting bracket, coil control voltage 24V purchase 100pcs. Special voltage specification products, such as user needs can be special order.