

DC Motor Controller ST-2S Brush DC Motor Controller



USES

Control of brush motors, series motors for electric tricycle, electric machinery and equipment, recreation vehicle, floor sweeper, system, ceramic machine, throwing cars, brick car, clean cars, solar boats

| | | | | | |
|-------------|----------|-----------|----------|-----------|-----------|
| ST-2 | S | /□ | □ | -□ | -□ |
| 1 | 2 | 3 | 4 | 5 | 6 |

- 1 Product type
- 2 S: Hall accelerator control; D: Potentiometer control
- 3 C: Manual cruise function; G: Prevent loss of control; B: Without zero start
- 4 Rated voltage
- 5 Rated power
- 6 Input plug type A: 6.3 plug; B: 2.8 snap spring

USE OF THE ENVIRONMENT

| | |
|--------------------------------|------------------------------|
| Ambient temperature | -30~+85℃ |
| Relative humidity | +20℃ 98% |
| the vibration frequency of the | 3G, 1 ~ 50Hz 0.5mm amplitude |
| Altitude | 2000m |
| Installation direction | Random |
| International protection | IP55 |

ORDER INSTRUCTION

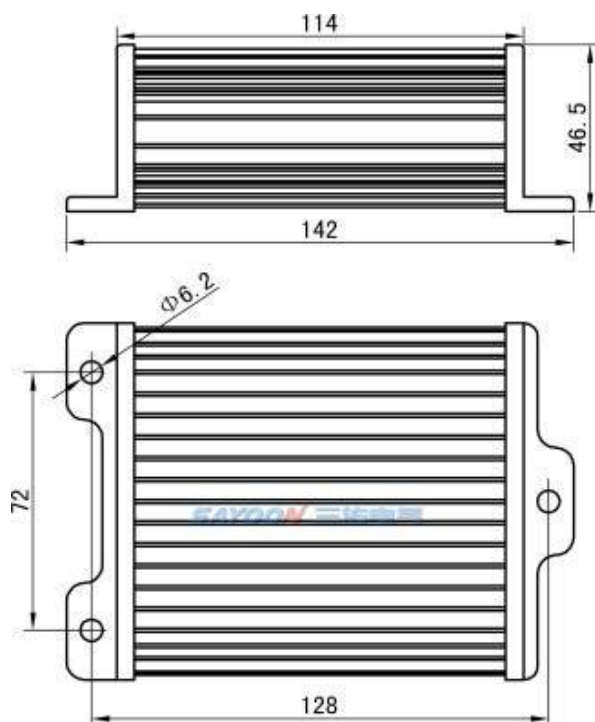
| | |
|--------------|----------|
| U.N.W. | 403g |
| Package QTY. | 50 PCS |
| Meas.(cm) | 59*32*31 |
| G.W. | 25kg |
| N.W. | 23kg |

TECHNICAL PARAMETERS

(Version 1.46)

| SAYOON Product Type | ST-2S |
|------------------------------------|---|
| Rated power | 1000W;1500W;2000W |
| Rated voltage | 12V;24V-36V;48V-60V;72V;84V;96V |
| Rated current(A) | 35A;50A;70A |
| Throttle signal types | 0.8-4.2V; 0-5k |
| Effective control of voltage range | 1.8-3.5V |
| Rated power loss | ≤5W |
| Throttle interface type | Three-wire 2.8 insert(default), Three-wire 6.3 insert |
| Testing organization certification | CE,FCC |

INSTALLATION DIAGRAM



■ WIRING DIAGRAM

